

## EnerRocket<sup>R</sup>



### APPLICATIONS

- UPS Systems
- Telecommunication Systems
- Fire Alarm Safety & Security Systems
- Medical Equipment

### COMPLIANCE STANDARDS

IEC 60896 PART 21 & 22  
BS6290-4

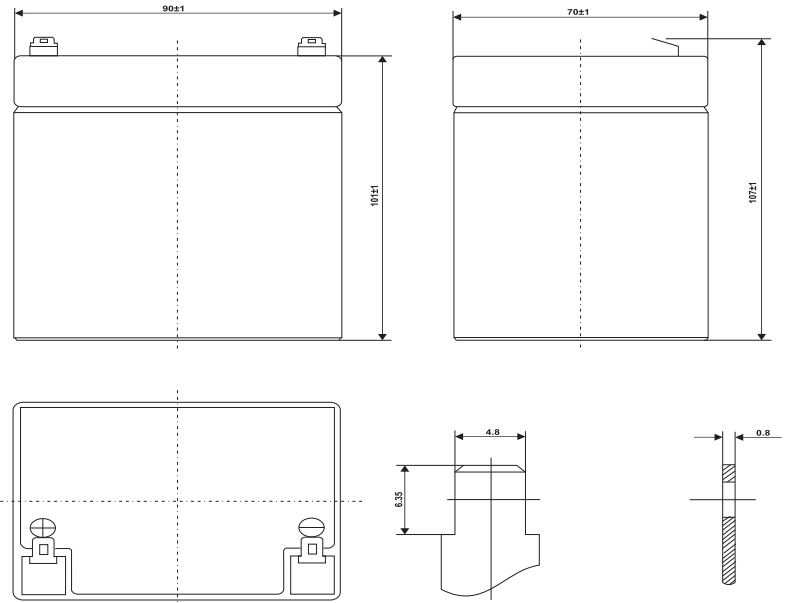
### TECHNICAL FEATURES



- Non-Spillable Sealed Construction
- Seal Lead Acid Battery
- Absorbent Glass Mat System (AGM System)
- ABS (Acrylonitrile Butadiene Styrene) construction (FR optional)
- Gas Recombination
- Venting System for low internal pressure
- Low Self-Discharge
- Heavy-Duty, Highly Optimized Grids
- High Power Output
- Wide Operating Temperature
- Maintenance-Free Operation

### CHARACTERISTICS

Nominal Voltage	12 V	
Design Life	10 Years	
Capacity 25°C (77°F)	20 Hour rate	5.0Ah
	10 Hour rate	5.0Ah
	5 Hour rate	4.8Ah
Internal Resistance (25°C, 100% Charge)	≤ 25mΩ	
Self Discharge (20°C)	1 Month	Remaining Capacity 97%
Operating Temperature	Discharge	-20°C - 60°C
	Charge	-10°C - 60°C
	Storage	-20°C - 60°C
Normal Operating Temperature	25°C ± 3°C	
Maximum Discharge current	75A (5sec)	
Maximum Charging current	2.00A	
Short Circuit Current	270A	
Charge Methods	14.4 to 14.7 V	
Constant Voltage Charge 77°F (25°C) - Cycle use	Temp. Compensation -30mV/°C	
Charge methods	13.4 to 13.8V	
Constant Voltage Charge 77°F (25°C) - Standby Use	Temp. Compensation -20mV/°C	



### SPECIFICATIONS

Length	Width	Height	Total Height	Weight (kg)
90 mm	70 mm	101 mm	107 mm	1.72 ± 5%

### CONSTANT CURRENT DISCHARGE (Amperes) AT 25°C

End Voltage Volt/Cell	5min	10min	15min	20min	30min	1h	3h	5h	10h	20h
1.60V	26.5	17.5	13.0	9.64	7.30	4.10	1.55	1.01	0.52	0.27
1.65V	25.4	17.2	12.7	9.45	7.20	4.02	1.51	0.98	0.51	0.26
1.70V	24.3	17.0	12.4	9.28	7.13	4.00	1.48	0.97	0.50	0.26
1.75V	21.8	16.5	12.1	9.12	7.10	3.99	1.44	0.96	0.50	0.25
1.80V	21.8	15.8	12.0	9.03	7.02	3.98	1.40	0.95	0.50	0.25

### CONSTANT POWER DISCHARGE (Watts) AT 25°C

End Voltage Volt/Cell	5min	10min	15min	20min	30min	1h	3h	5h	10h	20h
1.60V	49.5	35.2	25.7	19.14	14.6	8.05	3.05	2.01	-	-
1.65V	47.1	34.0	25.2	18.81	14.4	8.03	2.99	1.98	-	-
1.70V	44.8	33.5	25.0	18.67	14.3	8.00	2.93	1.95	-	-
1.75V	42.3	32.5	24.3	18.34	14.3	7.99	2.86	1.91	-	-
1.80V	39.8	31.6	23.5	17.91	14.2	7.97	2.80	1.88	-	-

