

EnerRocket^R

CONTINUOUSLY SAFEGUARDING



APPLICATIONS

- UPS Systems
- Telecommunication Systems
- Fire Alarm Safety & Security Systems
- Medical Equipment

COMPLIANCE STANDARDS

IEC 60896 PART 21 & 22
BS6290-4

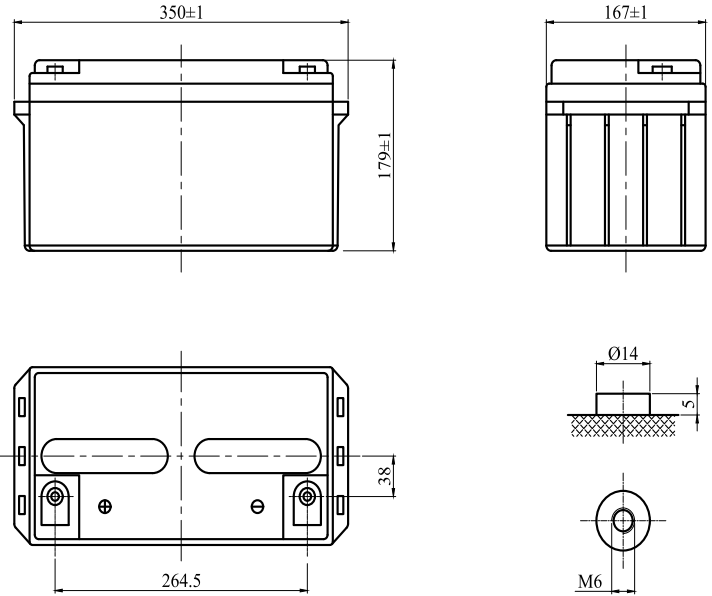
TECHNICAL FEATURES



- Non-Spillable Sealed Construction
- Seal Lead Acid Battery
- Absorbent Glass Mat System (AGM System)
- ABS (Acrylonitrile Butadiene Styrene) construction (FR optional)
- Gas Recombination
- Venting System for low internal pressure
- Low Self-Discharge
- Heavy-Duty, Highly Optimized Grids
- High Power Output
- Wide Operating Temperature
- Maintenance-Free Operation

CHARACTERISTICS

Nominal Voltage	12 V	
Design Life	10 Years	
Capacity 27°C (80.6°F)	20 Hour rate	68Ah
	10 Hour rate	65Ah
	5 Hour rate	55Ah
Internal Resistance (25°C, 100% Charge)	≤ 6.8 mΩ	
Self Discharge (20°C)	1 Month	Remaining Capacity 97%
Operating Temperature	Discharge	-20°C - 60°C
	Charge	-10°C - 60°C
	Storage	-20°C - 60°C
Normal Operating Temperature	25°C ± 3°C	
Maximum Discharge current	650A (5sec)	
Maximum Charging current	26A	
Short Circuit Current	1700A	
Charge Methods Constant Voltage Charge 77°F (25°C) - Cycle use	14.4 to 14.7V	
	Temp. Compensation -30mV/°C	
Charge methods Constant Voltage Charge 77°F (25°C) - Standby Use	13.4 to 13.8V	
	Temp. Compensation -20mV/°C	



SPECIFICATIONS

Length	Width	Height	Total Height	Weight (kg)
350 mm	167 mm	179mm	179 mm	20.4 ± 5%

CONSTANT CURRENT DISCHARGE (Amperes) AT 25°C

End Voltage Volts/Cell	5min	10min	15min	30min	1h	3h	5h	10h	20h
1.60V	212	151	126	75.4	45.10	18.4	11.8	6.7	3.48
1.65V	201	144	121	73.3	44.00	18	11.6	6.58	3.46
1.70V	189	137	115	71.3	43.00	17.6	11.3	6.56	3.44
1.75V	177	129	109	69.2	41.90	17.2	11.0	6.53	3.42
1.80V	164	120	102	66.9	41.00	16.9	10.7	6.50	

CONSTANT POWER DISCHARGE (Watts) AT 25°C

End Voltage Volt/Cell	5min	10min	15min	20min	30min	1h	3h	5h	10h	20h
1.60V	378	275	207	159.6	127.0	81.8	33.8	22.5	11.7	6.4
1.65V	356	261	203	157.7	128.0	80.0	33.2	22.3	11.6	6.3
1.70V	335	246	200	155.3	127.0	78.3	32.5	22.0	11.5	6.2
1.75V	314	231	196	152.0	124.0	76.5	31.8	21.7	11.4	6.2
1.80V	302	215	187	146.7	122.0	75.7	31.1	21.4	11.3	6.0

